

# EASY TRACK™

## 4' to 8' Tower Closet RB1460

PLEASE READ INSTALLATION INSTRUCTIONS  
BEFORE ASSEMBLING.

IF YOU ARE MISSING PARTS OR HAVE QUESTIONS  
PLEASE CALL OUR

**CUSTOMER HELP LINE:**

**1(800)562-4257**

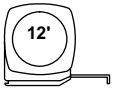
8 AM TO 5 PM EST  
Monday - Friday

Visit Our Web Site For Design Ideas and Frequently Asked Questions.  
[www.windquestco.com](http://www.windquestco.com)

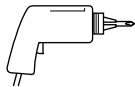
### IMPORTANT:

**TRACK must be screwed into studs behind wallboard. Warranty is void if TRACK is only screwed into drywall, as TRACK will fall down when screws pull out of drywall.**

### Tools Required:



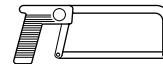
Tape Measure



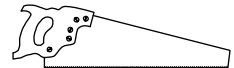
Battery or Electric Drill  
with No. 2 Phillips, 1/8",  
and 1/2" Drill Bits



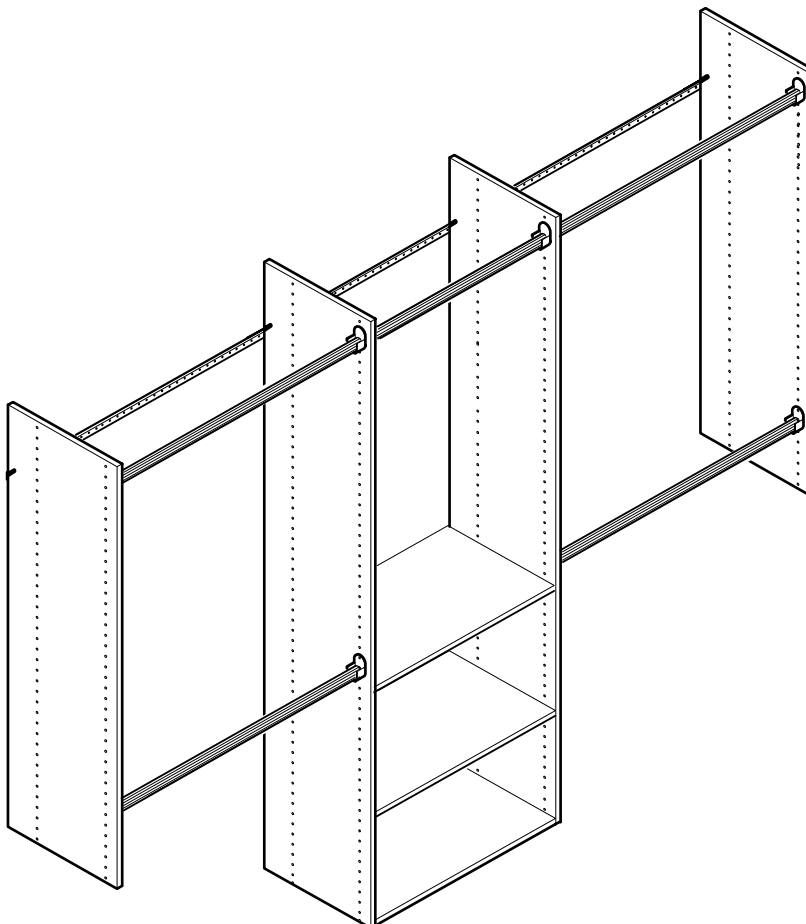
Level



Hacksaw



Hand or Electric Saw  
(if you need to cut shelves)



### Model RB1460 Includes:

- 2 - 72" Vertical Panels
- 2 - 48" Vertical Panels
- 3 - 23 7/8" Shelves
- 4 - 34 5/8" Wardrobe Rods
- 1 - 23 7/8" Wardrobe Rods
- 1 - 23 7/8" Support Cleat
- 10 - Rod Holders
- 18 - #8 x 50 mm Screws
- 18 - White Screw Covers
- 8 - Shelf Pins
- 8 - #6 x 1/2" Zinc Screws
- 4 - Toggle Bolts with Screws
- 2 - 48" EASY TRACK

# 1 Remove Existing Shelving

Remove existing closet rod, shelf, and shelf support.

If, desired, fill holes in plaster and repaint closet. When filling holes, mark these locations, as they generally mark the location of studs.

# 2 Attach Track

Using a level, draw a line across the back of the closet, 76" above floor. The 76" height will put the top of the verticals 84" above the floor, and provide 41" for double hanging clothes. The track height can be adjusted depending on the individual needs.

**Figure 1.**

Locate studs. If the studs are not marked from Step 1, tap wall or use an electronic stud finder to locate studs. Mark wall 1/2" below horizontal line. Studs (2 x 4) are usually located on 16" centers measured from the left or right side.

Lay out closet design to determine approximately where vertical panels will be located. See Figure 7 on page 5 for dimensions. Mark the vertical panel locations on the wall below the horizontal line.

**Figure 2.**

If any of the vertical panels are not within 3" of a stud, a toggle bolt is needed to attach the track to the wall. To determine the location of the toggle bolt(s), hold one of the tracks over the line, tight to the corner. Mark the hole locations near the studs and vertical panels (keeping track level).

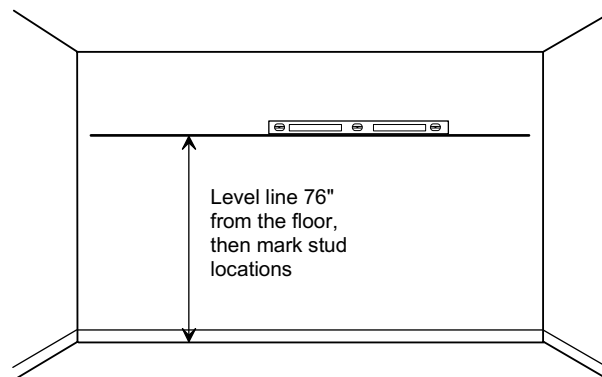
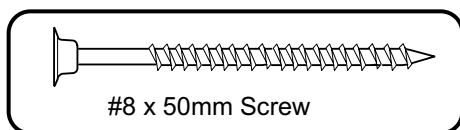
**NOTE: Do not use the holes directly behind the vertical panels, use the holes one space away, especially in corners.**

**NOTE: If toggle bolts are required they must be installed prior to attaching the track to the wall. Refer to page 3.**

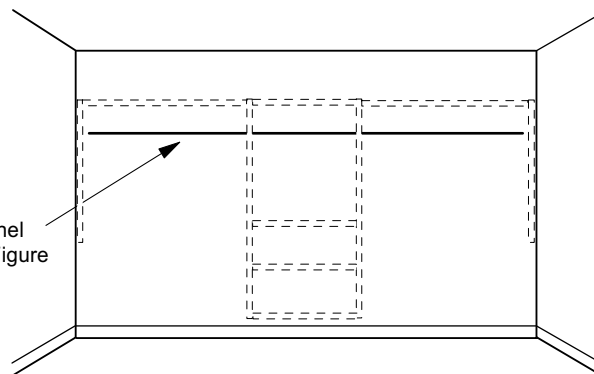
Measure the remaining closet width. Mark and cut the remaining track to length with a hacksaw. Mark the holes near the vertical panels.

### For Standard Drywall/Wallboard/Sheetrock:

**For holes marked at studs,** drill a pilot hole with a 1/8" drill bit. Attach the track to wall using the #8 x 50mm screws. **NOTE: Do not leave the end of the track unsupported, it must be attached to the wall.**

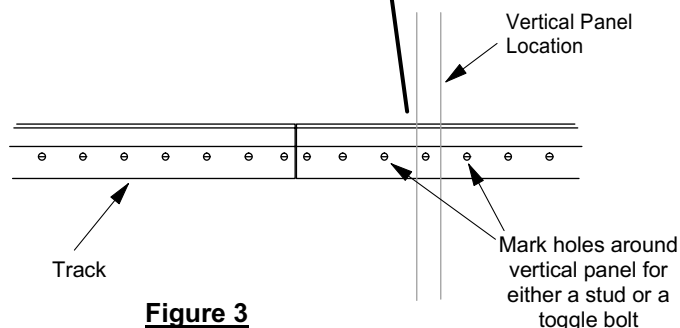
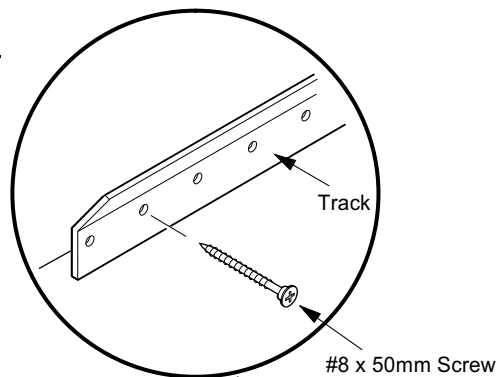


**Figure 1**



**Figure 2**

**Figure 3a**



**Figure 3**

## 2 Attach Track, continued

For holes marked for toggle bolts, drill a 1/2" hole through wallboard. Hold metal channel flat along side plastic straps and slide channel through hole. **Figure 4a.**

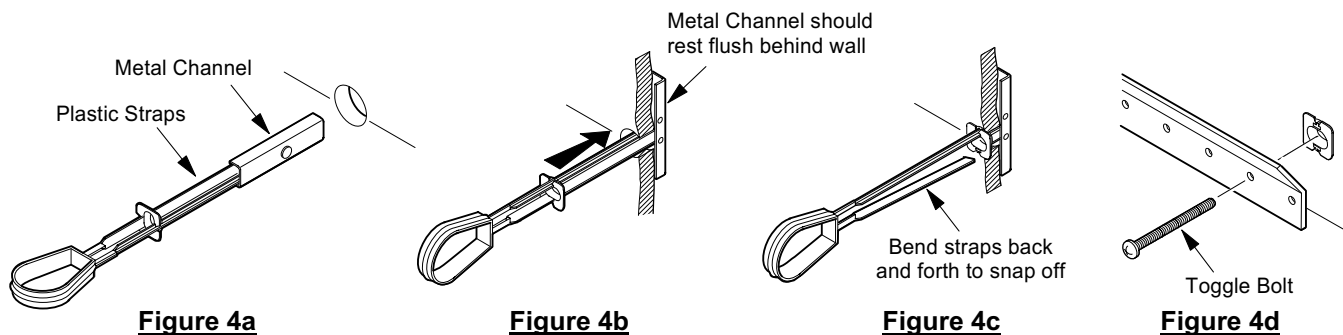
With one hand, pull ring so metal channel rests flush behind wall, as you slide plastic cap along straps with other hand until flange of cap is flush with wall. **Figure 4b.**

Place thumb between plastic straps. Push side to side, snapping off the straps at the wall. **Figure 4c.**

Insert toggle bolt through hole in track and tighten until flush with wall. Minimum clearance behind wall is 1 7/8". **Figure 4d.** If additional toggle bolts are needed, purchase locally or call our toll-free Customer Help Line at 1(800)562-4257.

### For Other Wall Types:

For cement, block, or other type of wall, use a suitable wall anchor available from your local hardware store.



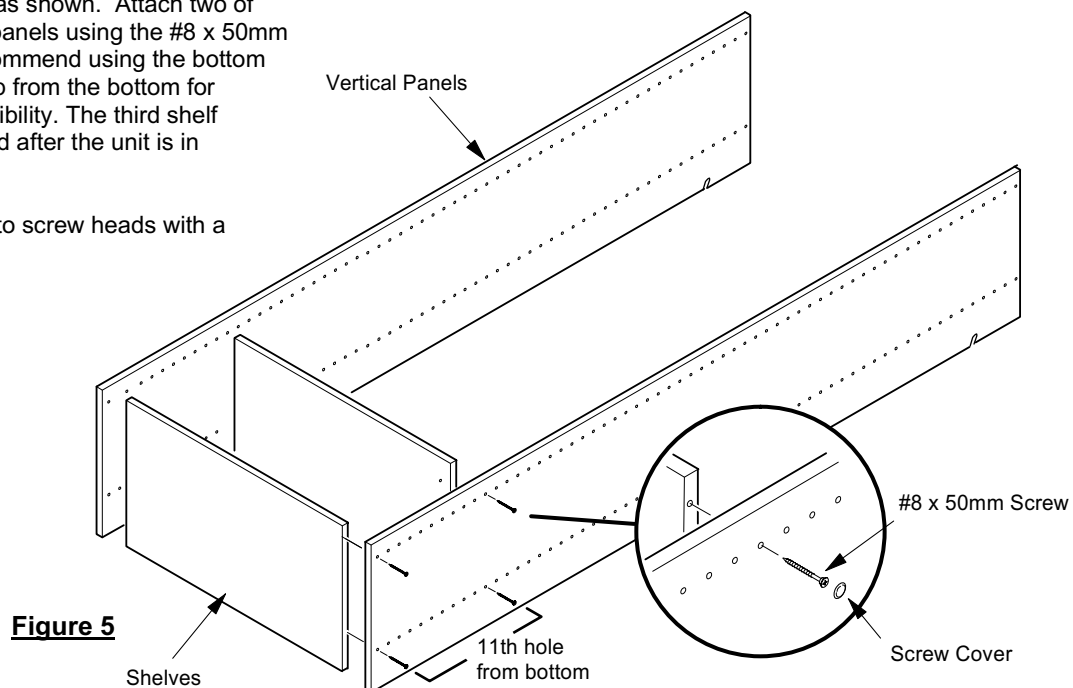
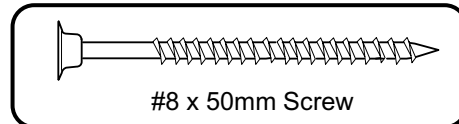
TOGLER® is a registered trademark of Mechanical Plastics Corp. TOGLER® brand toggle bolts are patented under one or more of the following US patent numbers 4,075,924; 4,294,156 and foreign counterparts thereof.

## 3 Assemble Unit

**Note: If drawers or doors will be added to the unit, determine their location before securing fixed shelves. See examples on page 6.**

Position the two 72" vertical panels for the 24" wide center section on the floor as shown. Attach two of the shelves to the vertical panels using the #8 x 50mm screws. **Figure 5.** We recommend using the bottom holes and the 11th holes up from the bottom for maximum strength and flexibility. The third shelf (adjustable) can be installed after the unit is in position.

Tap white screw covers onto screw heads with a hammer.



### 3 Assemble Unit, continued

Lift assembled section onto the track and position it. If unit was assembled on the floor, it is helpful to have two people for this step. Make sure that the vertical panels are located within 3" of a screw attached to a stud or a toggle bolt (from step two). If they are not, reposition the assembled section or add screws and toggle bolts. **Figure 6.**

Install the rod ends into the second set of holes in the vertical panels of the center unit. Snap the 23 7/8" long wardrobe rods into place. **Figure 6a.**

Determine the desired location of the adjustable shelf. Push the shelf pins into the vertical panels and position the shelf. **Figure 6b.**

Position the outside vertical panels on the track.

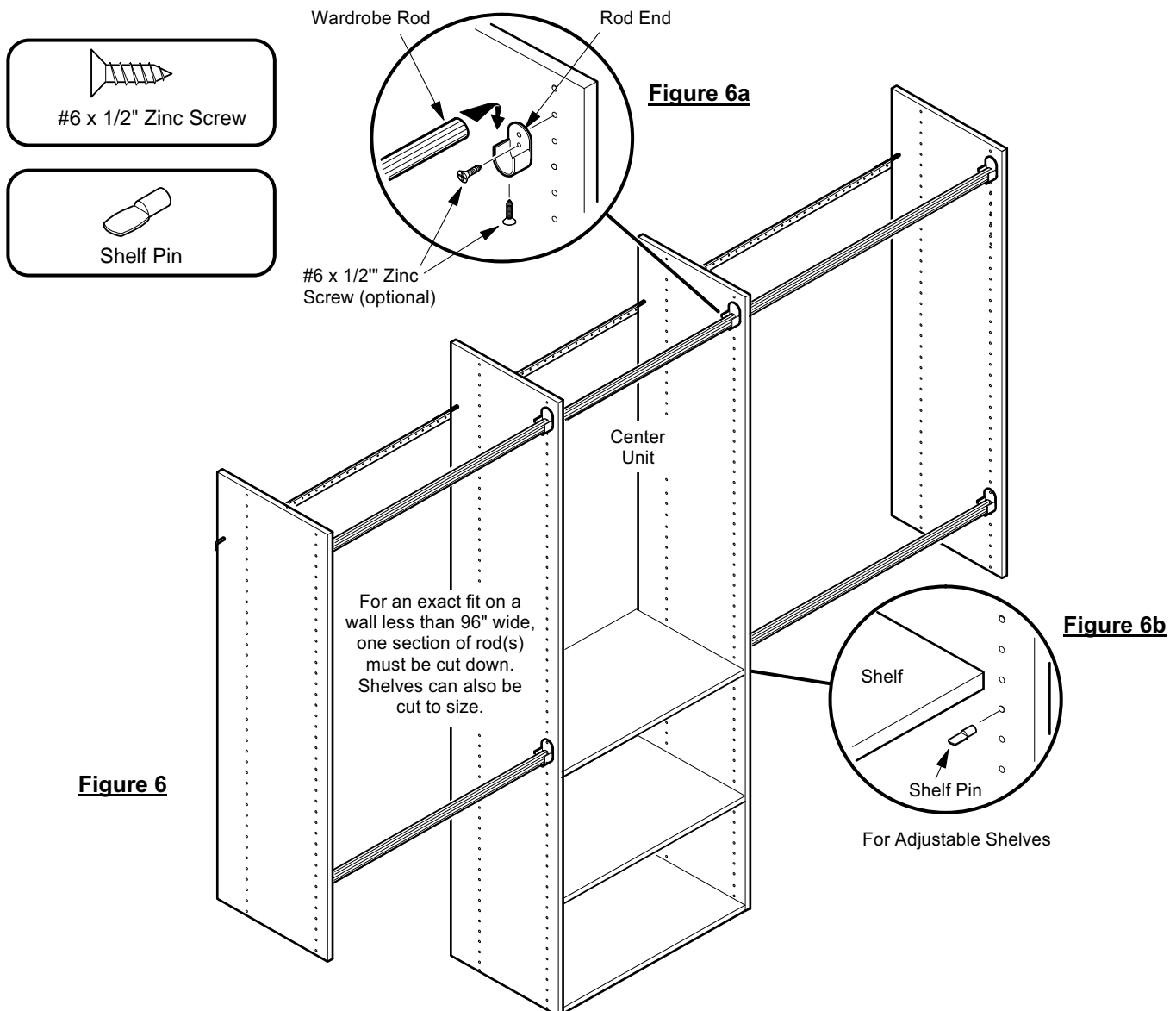
**NOTE: On closets less than 96" wide, the length of the wardrobe rods and shelves on one of the outside sections will need to be shortened by cutting.**

Before cutting anything, install the desired 34 5/8" long wardrobe rods, and shelves in the section that will not need to be cut down. Four (4) 34 7/8" wardrobe rods are included; this will allow two wardrobe rods per side, if desired. **Refer to Figures 6 and 7.**

Measure the width of the remaining section for the wardrobe rod. Allow 1/4" for the rod ends when measuring the length, a tight fit is important. Cut the rods to the correct size using a hacksaw.

If cutting the shelves, measure at the back and front, as the side wall maybe bowed. Cut the shelves using a circular saw, table saw with a quality carbide blade, or a hand saw.

For extra stability on vertical panels, screw the plastic rod end to the vertical panel. Drill a 1/8" hole through the rod end and secure with a #6 x 1/2" zinc screw. This will prevent the panels from spreading. **Figure 6a.**



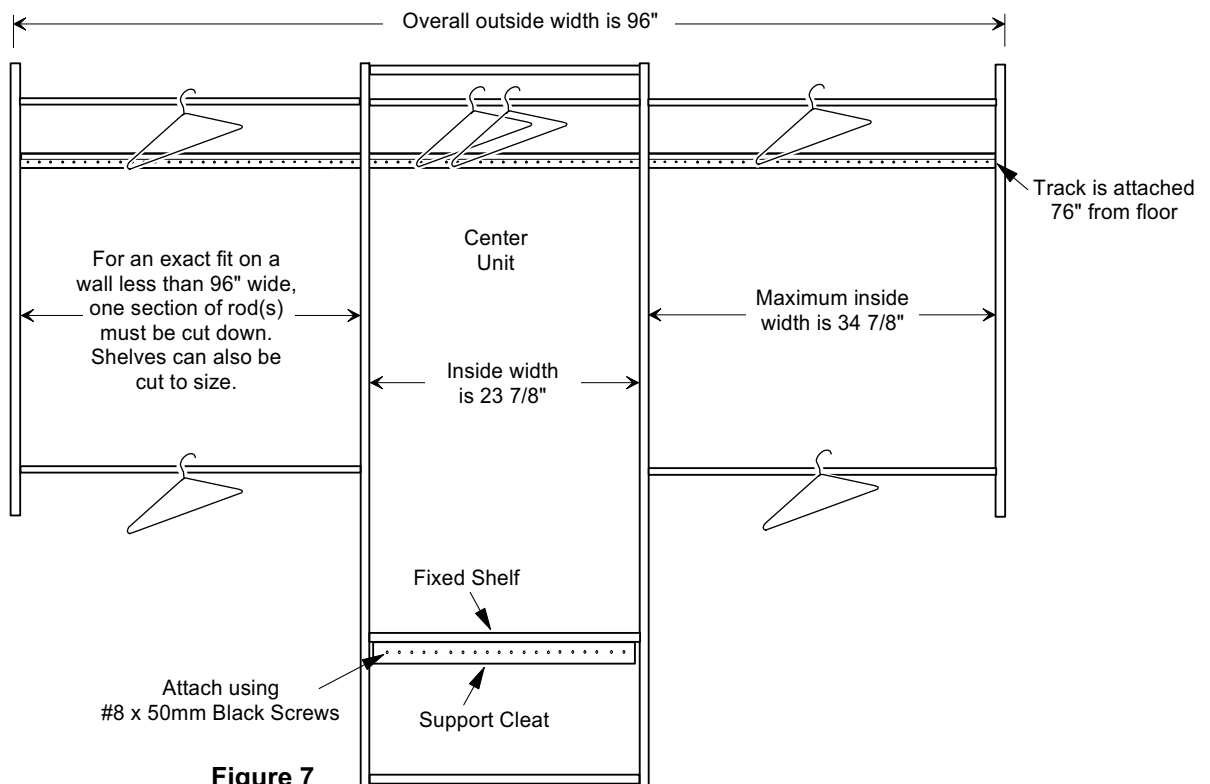
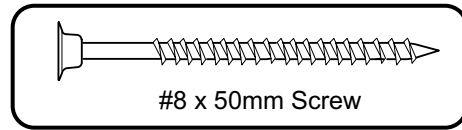
## 4 Attach Support Cleat

Once unit is in its final position; attach the support cleat to the back wall, underneath a fixed shelf. Attach support cleat tightly underneath a fixed shelf with #8 x 50mm screws or toggle bolts.

**Figure 7.**

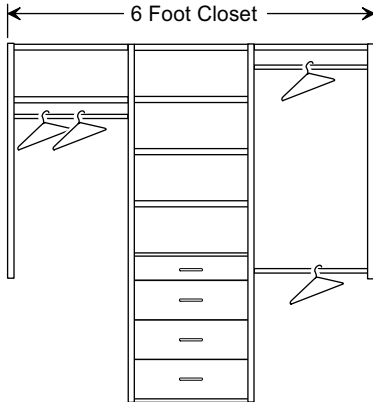
**NOTE: If you will be using drawers in your unit, attach support cleat underneath the bottom shelf.**

For added stability, drill a 3/32" hole through the fixed shelf into the support cleat and secure the shelf to the support cleat with #8 x 50mm screws.

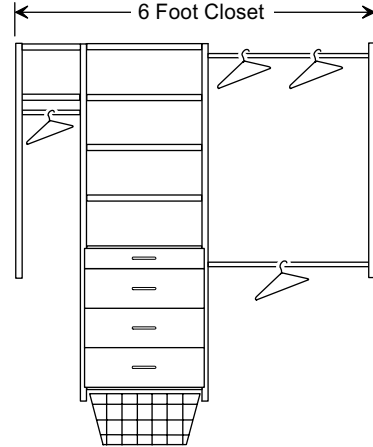


## Tower Closet Examples

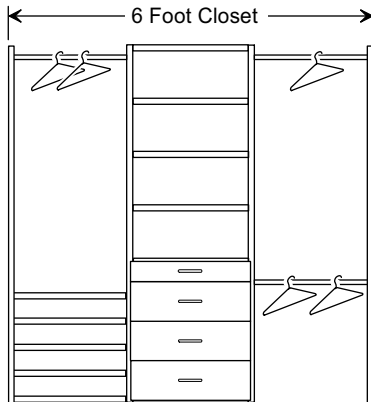
Design your closet according to your storage needs, or as in samples below, add other components to enhance your storage space.



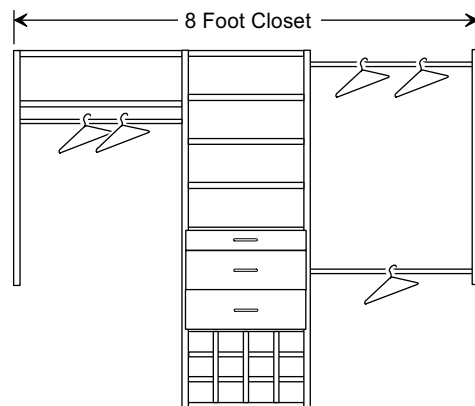
- 1 - RB1460 Tower Closet
- 3 - RS1423 2 - 24" Shelves
- 3 - RD2408 8" Drawers
- 1 - RD2404 4" Drawer



- 1 - RB1460 Tower Closet
- 1 - RS1412 4 - 12" Shelves
- 2 - RS1423 2 - 24" Shelves
- 3 - RD2408 8" Drawers
- 1 - RD2404 4" Drawer
- 1 - 1312 12" Basket



- 2 - RS1472 Hanging Tower Kit
- 3 - RS1423 2 - 24" Shelves
- 1 - RR1024 2 - 24" Rods/Ends
- 3 - RD2408 8" Drawers
- 1 - RD2404 4" Drawer



- 1 - RV1472 Hanging Tower Kit
- 1 - RV1447 2 - 48" Verticals
- 2 - RS1423 2 - 24" Shelves
- 1 - RS1436 2 - 35" Shelves
- 2 - RD2408 8" Drawer
- 1 - RD2404 4" Drawer
- 1 - RS1500 Shoe Cubes
- 1 - RR1024 2 - 24" Rods/Ends

### TEN YEAR LIMITED WARRANTY

EASY TRACK Organizing Systems by Windquest Companies Inc. are manufactured using the highest quality materials to exact tolerances. We use premium industrial particleboard and UV cured melamine impregnated laminate. Materials are warranted against manufacturing defects for a period of ten years. Any material with manufacturing defects will be replaced at no charge. Return of the defective item may be required by Windquest Companies Inc. Windquest Companies Inc. is not responsible for improper installation, overloading, or misuse of product, and is not responsible for consequential damage from the use of EASY TRACK.

This EASY TRACK™ product is covered under one of the following: U.S. Patents #4,928,833 and 5,191,986, Canadian Patent 1,307,766.  
©1996, 1998 Windquest Companies Inc., Holland Michigan

**WINDQUEST** 3311 Windquest Drive  
Holland, MI 49424  
(800) 562-4257 (616) 399-3311  
(616) 399-8784 fax  
www.windquestco.com